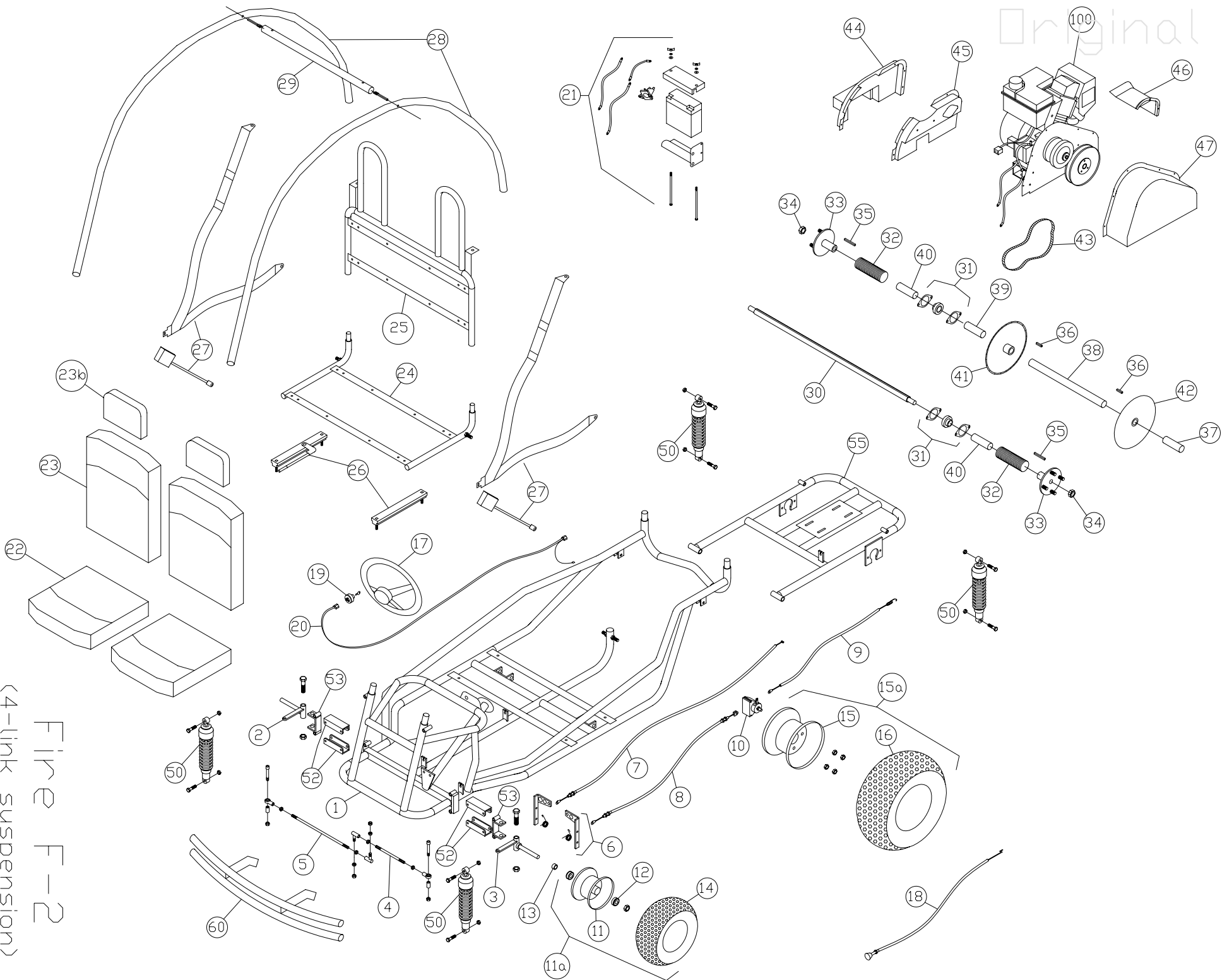


Original



Fire F-2
(4-link suspension)
F2-265, F2-265E